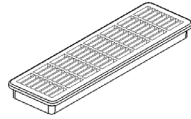


## PD51/PD5103/PD5107 Console

This document shows how to dismount and mount the console from the PD51, PD5107 Stations and PD5103 Podium. As well as how to remove the front console panel from a wedge position.

**Note:** If you cannot understand these instructions or are concerned about safety of the installation contact a qualified contractor or contact AVFI at 1-877-834-3876

### Supplied Hardware

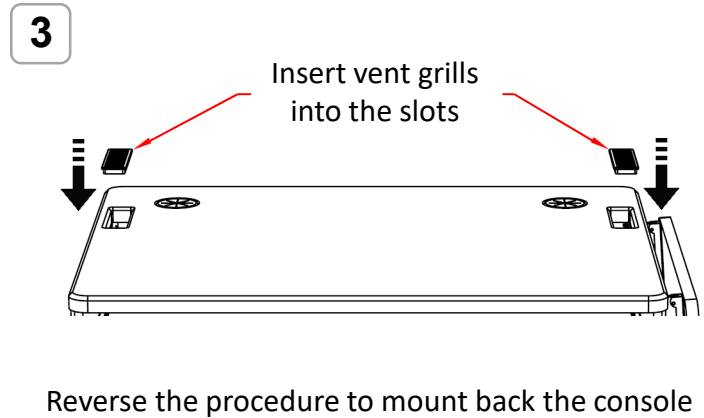
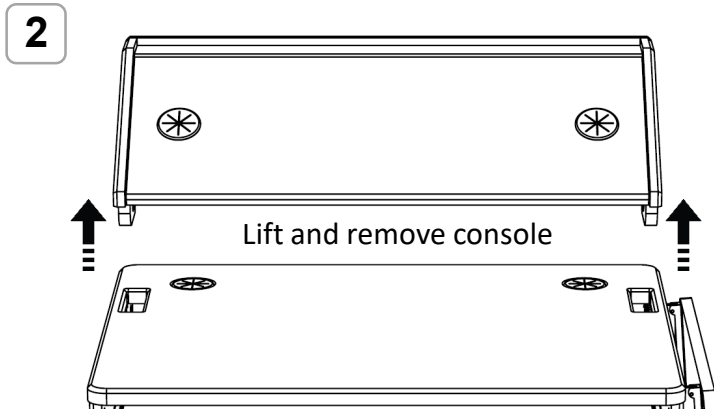
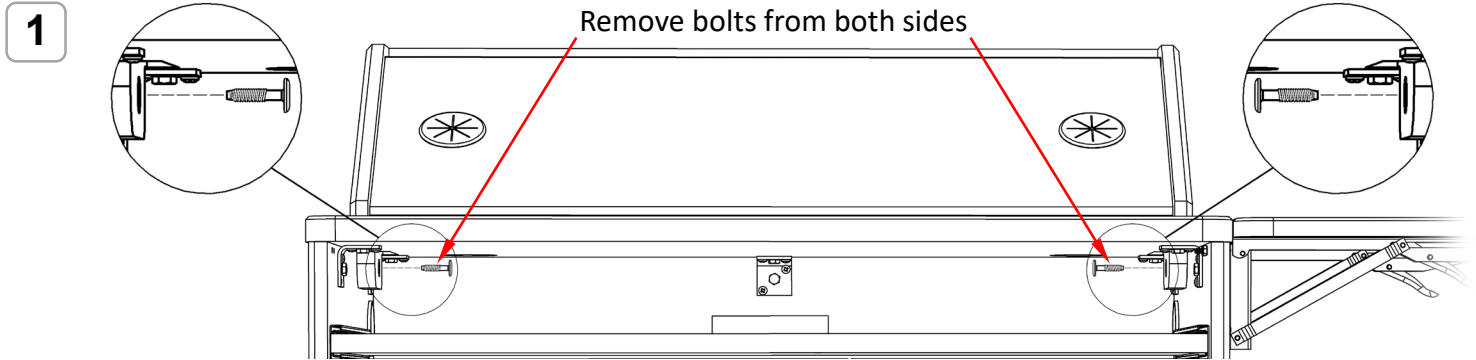


Vent grill (2)

### Tools required



4mm Hex Allen key



**4** To remove front console panel, pull firm and evenly by holding the panel from the grommet holes. The fasteners will unlock.

Push in the same manner to reattach the panel.

Note: Panel can also be removed by pushing up from the inside if there are special cuts or if devices cover the grommet holes.

